

TORQUE WRENCH SQUARE DRIVE - TWSD

Max Torque 33,198 Nm at 700 bar
(24,500 lb-ft at 10,000 psi)



360° Reaction Arm

OK FOR SUBSEA



SQUARE DRIVE TORQUE WRENCH

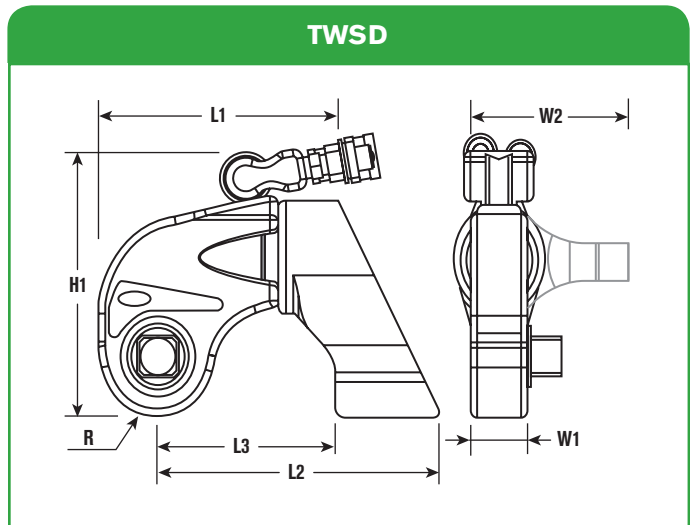
- Low weight, high strength design
- Superior torsional strength
- Fast operation cycle
- Fine tooth ratchet
- Floating piston design
- Swivel manifold internal relief valve prevents retract side over-pressurization
- Rigid steel body construction
- Compact frame size
- Reaction and drive accessories available

**TWSD CONVERSION CHART,
SEE PAGE 120**



Specifications and Dimensional Data

- Push button reversal of square drive
- Corrosion resistant finish
- 360° reaction arm
- Push to lock reaction arms
- Multi-axis high flow swivel manifold
- Simple design
- Consistently accurate torque output
- Fully enclosed drive mechanism



Tool Model	L1		L2		L3		H1		R		W1		W2	
	in	mm	in	mm	in	mm	in	mm	in	mm	in	mm	in	mm
TWSD11	9.2	234	11.5	292	7.0	178	9.5	241	2.2	56	2.4	61	6.5	165
TWSD25	12	305	14.8	376	9.1	231	12.4	315	2.8	71	3.0	76	7.9	200

Tool Model	Square Drive in	Min Torque		Max. Torque		Tool Weight	
		lb-ft	Nm	lb-ft	Nm	lb	kg
TWSD11	1-1/2	1,313	1,780	10,940	14,823	28.9	13.1
TWSD25	2-1/2	2,940	3,984	24,500	33,198	65.0	29.5

TWSD1, TWSD3 and TWSD6 are obsolete and have been replaced by the TWHC Series.

Ordering Information

Order No.	Description	Order No.	Description
TWSD11	WRENCH - 10,940 lb-ft, 14,823 Nm	DFTAS000002	WRENCH HANDLE Size 2
TWSD25	WRENCH - 24,500 lb-ft, 33,198 Nm		Tool Ref. TWSD11

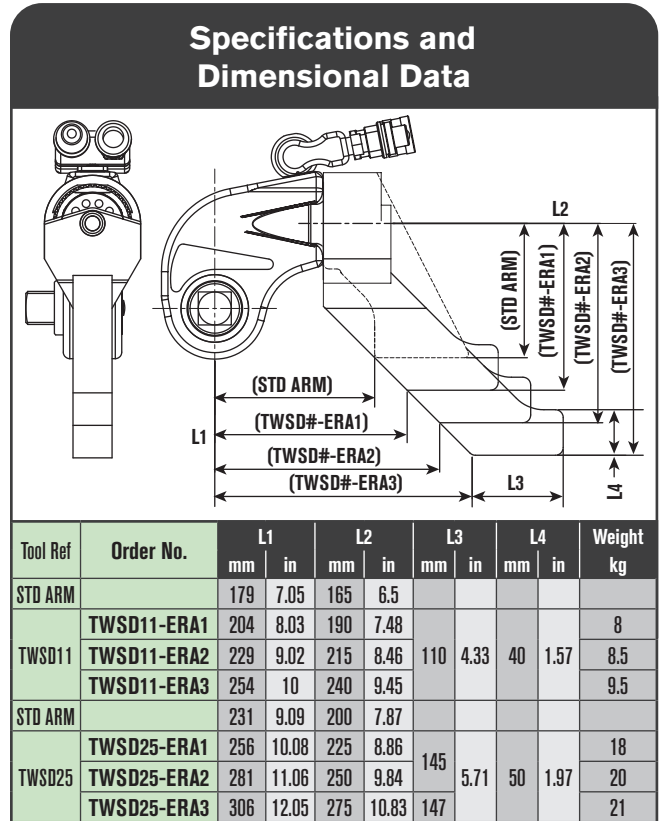
Standard Reaction Arm included for all models

TORQUE WRENCH REACTION ARMS - TWSD

TWSD EXTENDED REACTION ARM TWSD-ERA



- Long reach version of TWSD standard reaction arm
- 3 standard sizes per model (+25mm/50mm/75mm), specials upon request
- Replaces standard reaction arm – quick release pin locking
- Steel alloy construction
- 360° rotation
- Available for full range of tool sizes



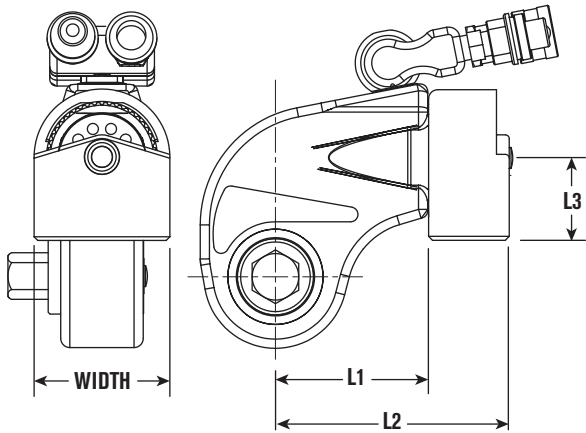
TW HANDLE



- Robust steel construction with ribbed polymer grip
- Multi-position on tool for balanced handling
- Cap-screw locking with positive 'docking'
- Is suitable for all wrench models (TWHC, TWSD, TWLC), however for larger sizes (TWSD25/TWLC30/TWHC50) we recommend the use of eye-bolt lifting.

Order No.	Description	Tool Ref
DFTAS000001	Wrench Handle Size 1	TWHC1
		TWHC3
		TWLC2
DFTAS000002	Wrench Handle Size 2	TWSD11
		TWHC6
		TWLC4
		TWLC8
		TWLC15

Specifications and Dimensional Data



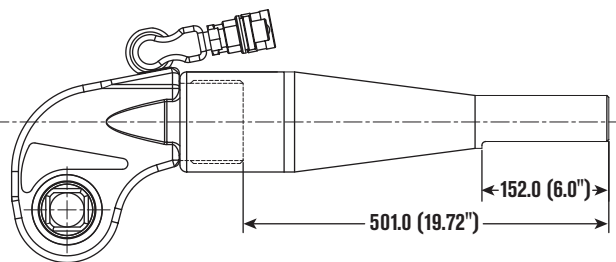
Tool Ref	Order No.	L1		L2		L3		Width		Weight kg
		mm	in	mm	in	mm	in	mm	in	
TWSD11	TWSD11-RP	109,5	4.311	184,5	7.264	65,5	2.579	105	4.133	4
TWSD25	TWSD25-RP	136,5	5.374	243,5	9.587	88,5	3.484	143	5.630	10

TWSD REACTION PAD TWSD-RP



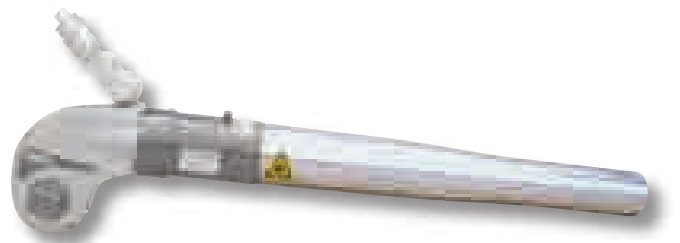
- Wrench In-Line Reaction Pad for TWSD wrench: used as simple pad or modified platform for specific application (Machine-able/Weld-able platform)
- Replaces standard reaction arm – quick release pin locking
- Steel alloy construction
- 360 degree rotation
- Available for full range of tool sizes

Specifications and Dimensional Data



Tool Ref	Order No.	L1		L2		Weight kg
		mm	in	mm	in	
TWSD11	TWSD11-LRA	501	19.72	152	6	11
TWSD25	TWSD25-LRA					22

TWSD LONG REACTION ARM TWSD-LRA



- Tubular extension arm for TWSD wrench: in-line reaction outside wrench profile
- Replaces standard reaction arm – quick release pin locking
- Steel/light alloy construction (reaction flat machined on tube end)
- Can be cut down to suit specific length
- Available for full range of tool sizes