



TTP-50 50T Track Pin Press

This portable track pin press makes it possible to disassemble and reassemble chain sections, driving wheels, pulleys, rollers, gears, bearings and shafts in the field or workshop.

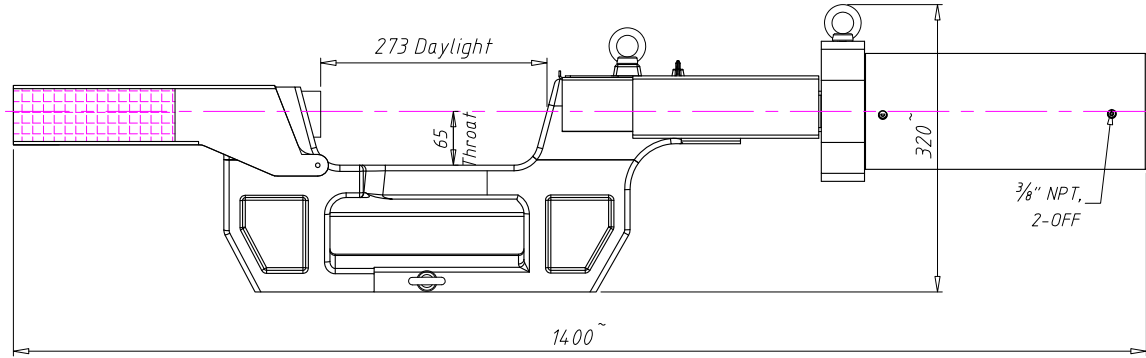
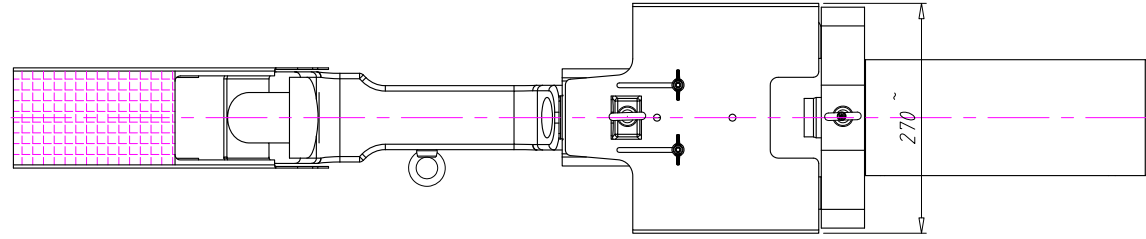
SPECIFICATIONS

Model No.	TTP-50	
Description	Portable 50T Track Pin Press	
Complete TTP-50 Gross Weight	240 kg	
Package Dimensions (Box)	52" x 26" x 24" (LxWxH)	
Suitable for Pin Set Size		
Diameter (mm)	Length (mm)	
19.3 -36.4	150 -180	
Recommended Compatible Pump (Ordered Separately)		
Pump Type	Model Number	Image
Hand	P-2800D	
230V/ 50/ 1 Electric with Gauge & Remote Pendant (Standard Supply)	SPEM45054L	
Air Hydraulic	DPA-38D	
Petrol	PPM2014	

Hydraulic Hoses (Specify Length, Sold Separately)

Pressure Gauges (Sold Separately Unless Otherwise Stated)

RevNo	Revision note	Date	Signature	Checked



SPECIFICATIONS

CAPACITY : 50 Ton
 STROKE : 250 mm
 EFFECTIVE AREA : 70.88 cm²
 MAX WORKING PRESSURE : 700 Kg/cm²
 OIL CAPACITY : 1772 cc
 APPROX. WEIGHT : 85 kg (FRAME+TIE RODS+NUTS+CYLINDER)

TITLE:
 TRACK LINK PIN PUSHER / INSTALLER ASSEMBLY
 50 ton x 250 STROKE

DR.No' TPP-50.	ALT
PART CODE :	△
SHEET 1 OFF 1	

ADVANTAGES OF THE DURAPAC MASTER PIN PUSHER

- Safe and effective removal/installation of Track Pins, Master Pins, Bushings and Master Bushings
- Reduction in labour hours
- Cost effective
- Eliminates old dangerous methods
- Makes field operations easier

EVERY DURAPAC TTP-50 50T TRACK PIN PRESS INCLUDES:

- 50T x 350mm stroke 700 bar cylinder, C-Frame, safety guards and lifting eyebolts.
 - 4 sets of tooling to suit pin sizes: 19.3 to 23.7, 23.7 to 30.1, 30.1 to 33.2 and 33.2 to 36.4
 - 20T x 12mm stroke flat jack
 - Set of hand tools
 - Cylinder seal kit
 - Chain block
 - Tripod
 - Flat sling
 - Wooden carry case (Includes separate compartments for every pin set - each tooling set has the dimensions engraved on them accordingly)
- Used to assist the positioning of the Pin Press during operation in the field

Your Durapac distributor can supply upon request a tooling chart itemising different brands of machines, model numbers and track pin diameters used.

TTP | SERIES

DURAPAC