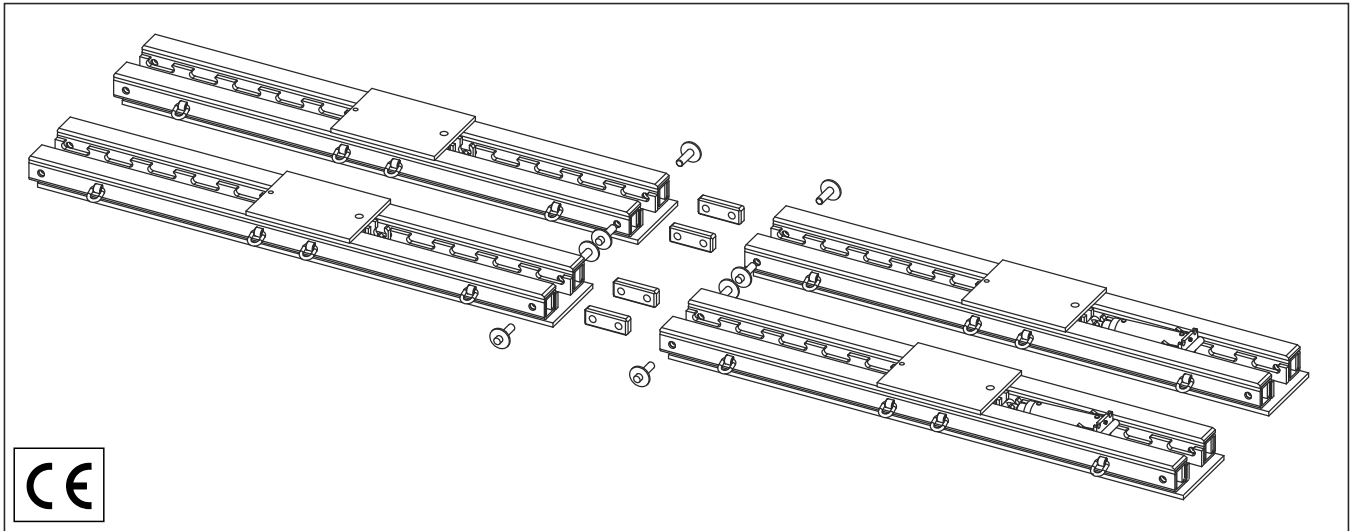


HT300

HEAVY TRACK SKIDDING SYSTEM



The HT300 features rigid steel tracks capable of carrying loads over unsupported spans, is engineered to push loads up to 300 tons (270 tonnes), and has a working height of only 7" (180 mm).

- Quick & simple track connections
- Designed to both push and pull
- Durable graphite slide surface
- Cylinders automatically reset
- Stamped, engineered assembly drawings and capacity charts provided



HT300

HEAVY TRACK SKIDDING SYSTEM



HT300 Specifications

Skidding Push Capacity*	300 ton 270 tonne
Skidding Pull Capacity*	150 ton 135 tonne
Skidding System Height	7" 180 mm
Cylinder Capacity - Push	30 ton 27 tonne
Cylinder Capacity - Pull	15 ton 13.5 tonne
Cylinder Push/Pull Stroke	14.25" 362 mm
Cylinder Hydraulic Couplers	Enerpac CR400 (female)
Skidding Speed**	90 ft/hr 28 m/hr
Skid Shoe Capacity	75 ton 67.5 tonne
System Coefficient of Friction	15-20%
Slide Surface Material	Graphite
Maximum Slope	+/- 2%
Track Alignment Tolerance	+/- 0.25" +/- 6 mm
Maximum Operating Pressure	10,000 psi 700 bar

*Based on standard system with (2) cylinders & (4) skid shoes
 **Determined using Hydra-Pac SPU-4D

HT300 Dimensions	Length	Width	Height	Weight
20' Track Section	20' 6.10 m	19" 510 mm	6.25" 160 mm	2500 lb 1134 kg
19' Track Section	19' 5.80 m	19" 510 mm	6.25" 160 mm	2375 lb 1077 kg
15' Track Section	15' 4.57 m	19" 510 mm	6.25" 160 mm	1875 lb 850 kg
12' Track Section	12' 3.66 m	19" 510 mm	6.25" 160 mm	1500 lb 680 kg
10' Track Section	10' 3.05 m	19" 510 mm	6.25" 160 mm	1250 lb 567 kg
HT300 Skid Shoe	34" 86 cm	17" 430 mm	6" 150 mm	165 lb 75 kg
Storage Rack with (4) Skid Shoes	34" 61 cm	24" 860 mm	34" 860 mm	850 lb 386 kg
Storage Box with components	42" 1.07 m	34" 860 mm	22" 560 mm	1000 lb 454 kg



All system components are stored in a compact steel box for convenience & easy transportation