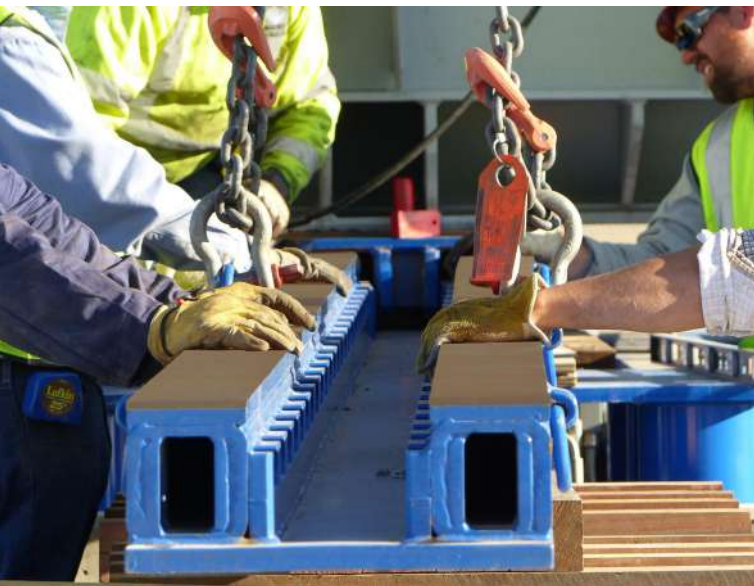
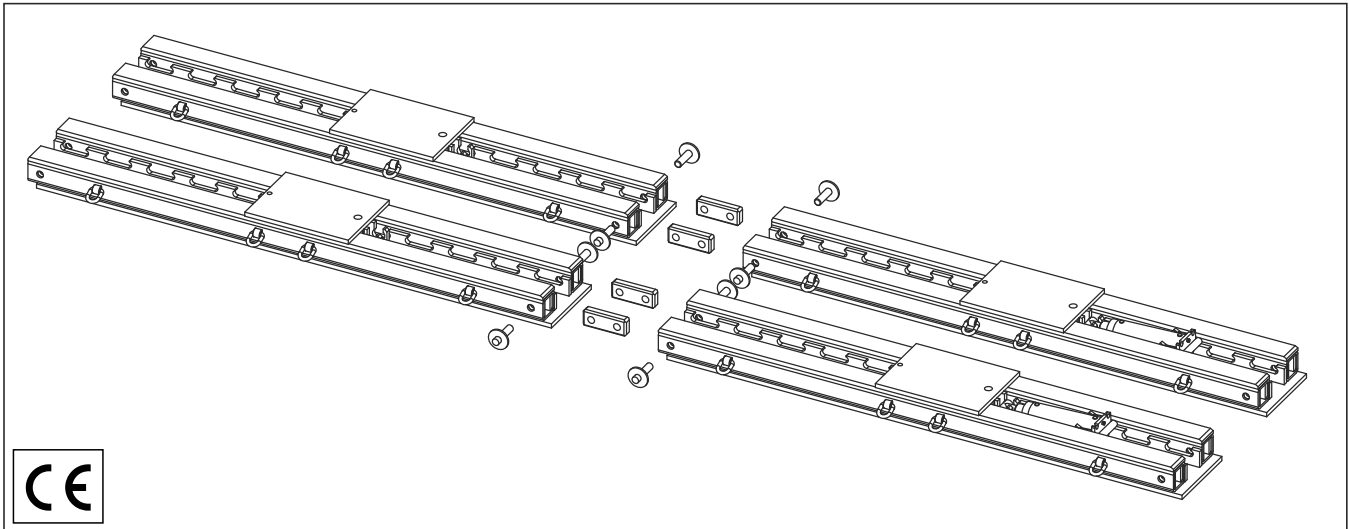


HT500

HEAVY TRACK SKIDDING SYSTEM



The HT500 features rigid steel tracks capable of carrying loads over unsupported spans, is engineered to push loads up to 500 tons (454 tonnes), and has a working height of only 8" (205 mm).

- Quick & simple track connections
- Designed to both push and pull
- Durable graphite slide surface
- Cylinders automatically reset
- Stamped, engineered assembly drawings and capacity charts provided



HT500

HEAVY TRACK SKIDDING SYSTEM



HT500 Specifications

Skidding Push Capacity*	500 ton 453 tonne
Skidding Pull Capacity*	250 ton 227 tonne
Skidding System Height	8" 205 mm
Cylinder Capacity - Push	55 ton 50 tonne
Cylinder Capacity - Pull	28 ton 25 tonne
Cylinder Push/Pull Stroke	13" 330 mm
Cylinder Hydraulic Couplers	Enerpac CR400 (female)
Skidding Speed**	55 ft/hr 17 m/hr
Skid Shoe Capacity	125 ton 113.5 tonne
System Coefficient of Friction	15-20%
Slide Surface Material	Graphite
Maximum Slope	+/- 2%
Track Alignment Tolerance	+/- 0.25" +/- 6 mm
Maximum Operating Pressure	10,000 psi 700 bar

*Based on standard system with (2) cylinders & (4) skid shoes

**Determined using Hydra-Pac SPU-4D

HT500 Dimensions	Length	Width	Height	Weight
20' Track Section	20' 6.10 m	22" 560 mm	7" 180 mm	3460 lb 1569 kg
19'-2" Track Section	19'-2" 5.84 m	22" 560 mm	7" 180 mm	3270 lb 1483 kg
15' Track Section	15' 4.57 m	22" 560 mm	7" 180 mm	2590 lb 1175 kg
12'-6" Track Section	12'-6" 3.81 m	22" 560 mm	7" 180 mm	2075 lb 941 kg
10' Track Section	10' 3.05 m	22" 560 mm	7" 180 mm	1730 lb 785 kg
HT500 Skid Shoe	32.25" 820 mm	18" 460 mm	6" 150 mm	200 lb 91 kg
Storage Rack with 4 Skid Shoes	34" 860 mm	24" 610 mm	34" 860 mm	900 lb 408 kg
Storage Box	42" 1.07 m	34" 860 mm	22" 560 mm	1000 lb 454 kg



All system components are stored in a steel box for convenience & easy transportation