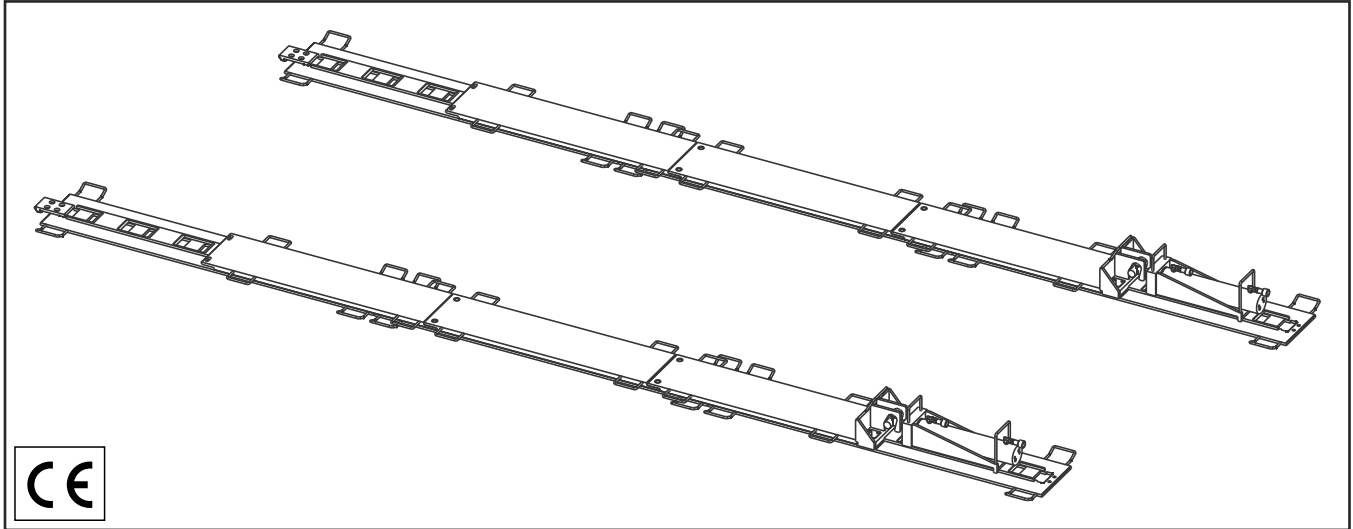


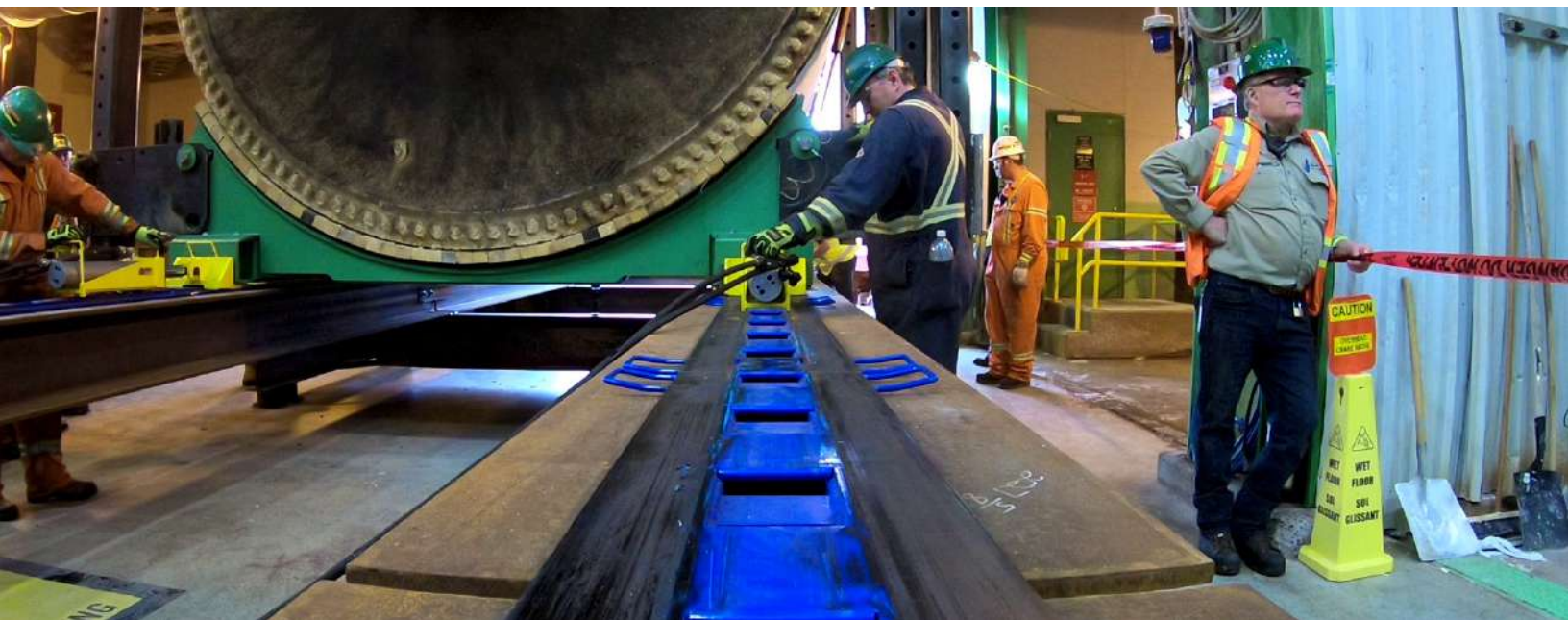
LP350

LOW PROFILE SKIDDING SYSTEM



The LP350 is our workhorse low-profile skidding system. Engineered for function and convenience, the LP350 has a durable graphite slide surface and a working height of 1.5" (38mm).

- Capable of pushing loads up to 350 tons (318 tonnes)
- Quick & simple track connections
- Durable graphite slide surface
- Cylinders automatically reset
- Stamped, engineered assembly drawings provided



LP350

LOW PROFILE SKIDDING SYSTEM



LP350 Specifications

Skidding Push Capacity*	350 ton 318 tonne
Skidding System Height	1.5" 38 mm
Cylinder Capacity	30 ton 27 tonne
Cylinder Push/Pull Stroke	14.25" 362 mm
Cylinder Hydraulic Couplers	Enerpac CR400 (female)
Skidding Speed**	90 ft/hr 28 m/hr
System Coefficient of Friction	15-20%
Slide Surface Material	Graphite
Maximum Slope	+/- 2%
Track Alignment Tolerance	+/- 0.25" +/- 6 mm
Maximum Operating Pressure	10,000 psi 700 bar

*Based on standard system with (2) push cylinders
 **Determined using Hydra-Pac SPU-4D



Full system is stored in a compact steel box for convenience & easy transportation



LP350 Dimensions	Length	Width	Height	Weight
Track Section	72" 1.83 m	19" 480 mm	1" 25 mm	120 lb 54 kg
Slider Plate	48" 1.22 m	19" 480 mm	1" 25 mm	125 lb 56 kg
Cylinder Assembly	27" 690 mm	6.5" 170 mm	9" 230 mm	100 lb 45 kg
Full System in Storage Box	76" 1.93 m	48" 1.22 m	31" 790 mm	3750 lb 1700 kg